



Ammonia Detector-Transmitter E2638-NH3-E



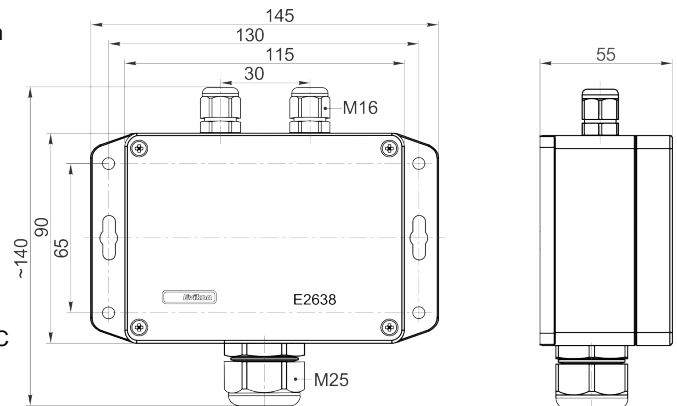
Features

- Accurate and stable measurement
- Easy to install robust enclosure
- Two analog outputs settable to 4-20 mA or 0-10 V
- RS485 Modbus RTU digital interface
- Relay option
- Attached or remote sensor
- LCD indicator option

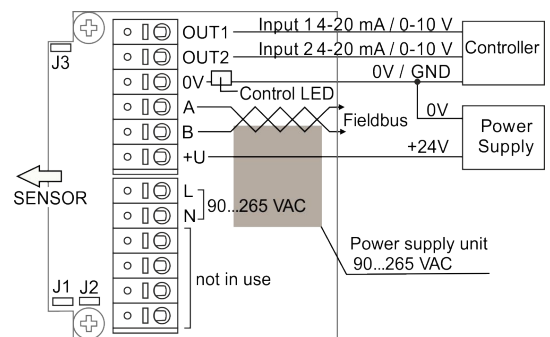
Specifications

Calibration	ammonia NH ₃		
Sensor type	electrochemical		
Sampling method	diffusion		
Typical detection range	0...100 ppm	0...300 ppm	0...1000 ppm
Maximum overload	200 ppm	500 ppm	1500 ppm
Resolution	1 ppm	1 ppm	1 ppm
Response time T90	< 40 s	< 40 s	< 60 s
Signal update	every 1 second		
Sensor lifetime	> 2 years		
Maintenance interval	6 months		
Self-diagnostics	full functionality check at start-up		
Warm-up time	≤ 1 min		
Power supply options	11...30 VDC (default), 24 VAC or 90...265 VAC		
Power consumption	< 2 VA		
Digital interface	RS485, Modbus RTU protocol		
Analog outputs	2 × 4-20 mA / 0-10 V, user settable		
Output scale width	recommended: 20-100% of the range; > 10 × resolution in any case		
Enclosure	grey ABS plastic, wall mount, protection class IP65		
Dimensions	H90 × W145 × D50 mm (housing only) H140 with cable glands		
Operating environment	industrial indoor and outdoor locations		
Operating conditions	-40...+50°C, 15...90 %RH non-condensing; 0,9...1,1 atm; explosion safe areas; non-aggressive atmosphere		
	NOTE The device is not suitable for areas with constantly high ammonia concentration		
	NOTE We offer technical solutions for extreme humidity, please ask for more information		

Dimensions



Connection diagram for versions without relay



J1: OUT1 type (open: 4-20 mA; closed: 0-10 V)
 J2: OUT2 type (open: 4-20 mA; closed: 0-10 V)
 J3: return to factory settings
 Note: for 24V versions only one terminal block is mounted



Additional options

Remote sensor probe	protection IP65, shielded cable default cable length 3.0 m
Self-test button	triggers both relays simultaneously; push-button switch
Relay outputs	
Output relays	2 × SPST relays (closing contact), 250 VAC / 30 VDC, 5 A max
Default alarm set-points	for 0...100 ppm range: RE1 (LOW): set 25; release 20 ppm RE2 (HIGH): set 35; release 28 ppm for other ranges: defined by user within 5-95% of the detection range

Alarm signalling

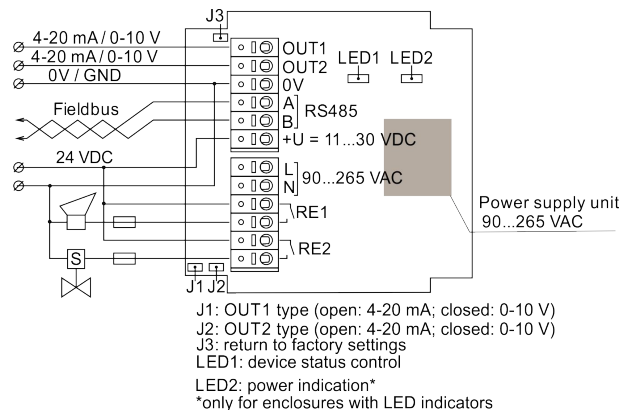
Visual	red and green LEDs
Acoustic	buzzer 85 dB

LCD indicator

Operating temperature	0...+50 °C
Display dimensions	72 × 36 mm
Number of digits	3.5 7-segment
Character height	14 mm
Other features	Backlight

NOTE Only one analog output is available for a version with LCD

Connection diagram for versions with relays



Version with LCD indicator



Remote probe

