

Dual Gas Transmitter E2660-CO-NO2

two
gases

IP65

4-20 mA
0-10 V

RS485
Modbus



Features

- CO and NO₂ monitoring in underground garages
- Two analog outputs 4-20 mA and 0-10 V
- RS485 Modbus RTU digital interface
- Wall mount IP65 protected housing
- Attached or remote sensor

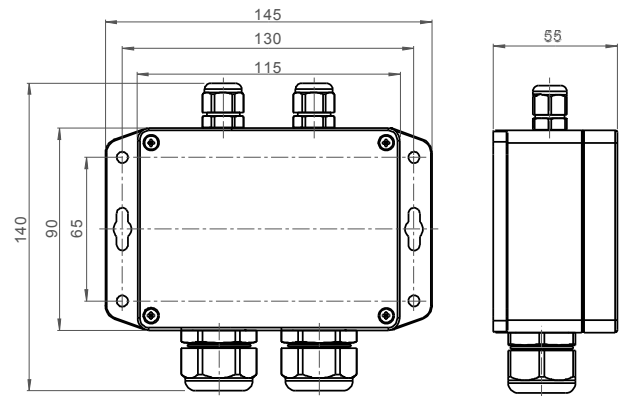
Specifications

	CO	NO ₂
Sensor type	electrochemical	electrochemical
Sampling method	diffusion	diffusion
Detection range	0...1000 ppm	0...20 ppm 0...200 ppm
Max. overload	2000 ppm	100 ppm 1000 ppm
Resolution	1 ppm	0.1 ppm 1 ppm
Response time T90	ca. 30 s	< 60 s < 40 s
Sensor lifetime	> 6 years	> 2 years
Recalibration interval	6 months	6 months
Signal update	every 1 second	
Self-diagnostics	full functionality check at start-up	
Warm-up time	≤ 10 min	
Power supply	11...30 VDC, 24 VAC or 90...265 VAC	
Power consumption	< 2 VA	
Digital interface	RS485, Modbus RTU protocol	
Analog outputs	2 × 4-20 mA / 0-10 V, user settable	
Output scale width	recommended: 20-100% of the range (for CO down to 5-100% allowed); > 10 × resolution in any case	
Enclosure	grey ABS plastic, wall mount, protection class IP65	
Dimensions	H90 × W145 × D55 mm	
Sensor heads	M25	
Remote sensor probe	Protection IP65, shielded cable default cable length 3.0 m	
Operating conditions	0...+50 °C, 15...90 %RH 15...90 %RH non condensing* pressure 0,9...1,1 atm;	

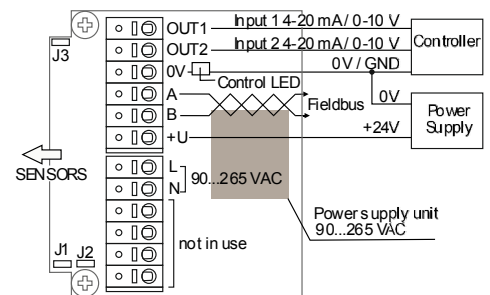
* we offer technical solutions for extreme humidity, please contact us for details

Ask for other versions or custom designed products

Dimensions



Connection diagram



J1: OUT1 type (open: 4-20 mA; closed: 0-10 V)
J2: OUT2 type (open: 4-20 mA; closed: 0-10 V)
J3: return to factory settings

Remote probe

