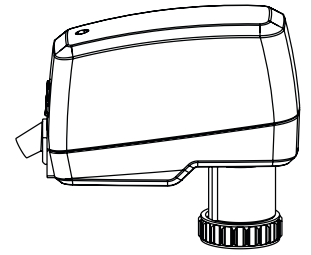
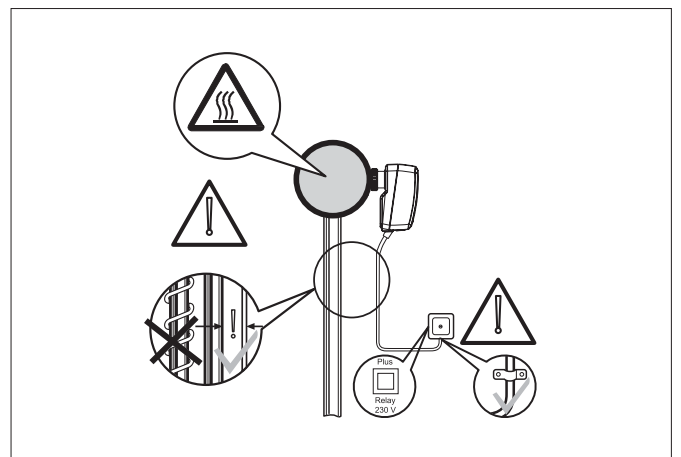
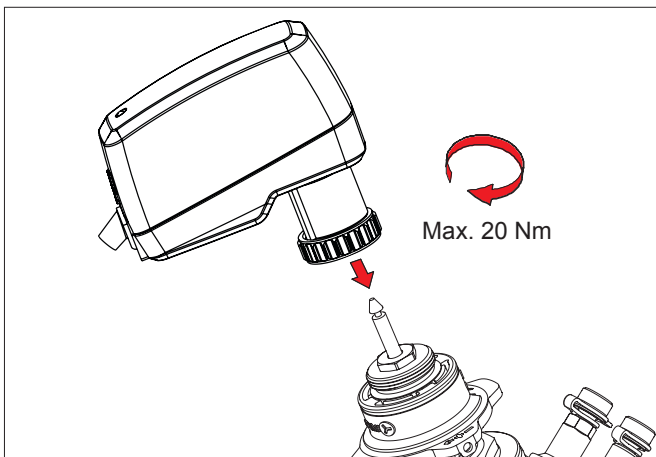
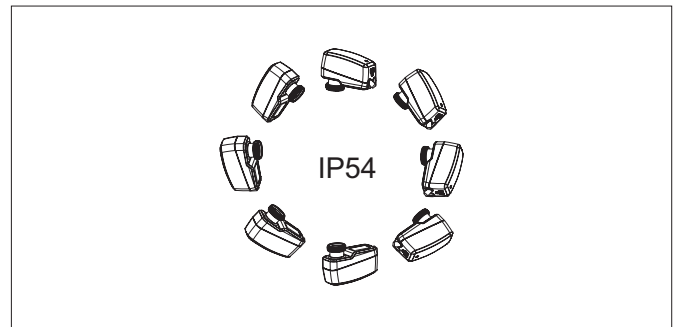
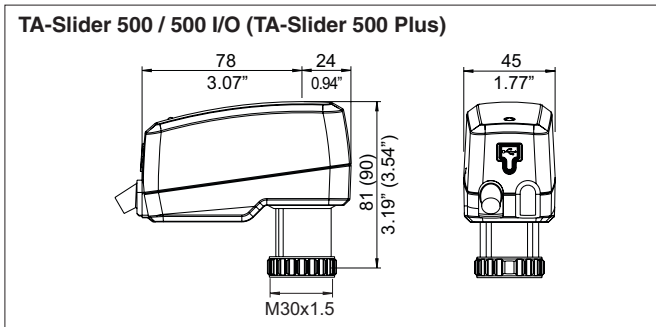
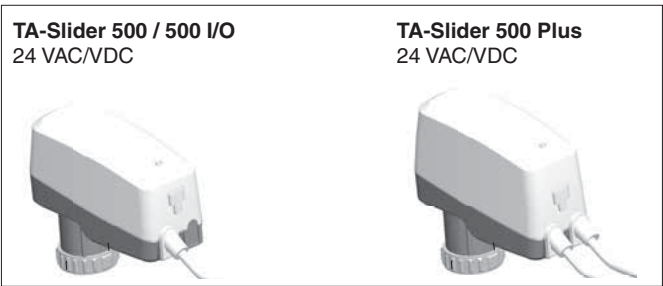
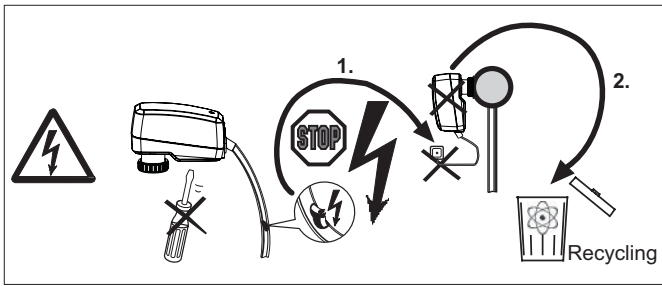


TA-Slider 500 TA-Slider 500 I/O TA-Slider 500 Plus



	0°C - +50°C	32°F - +122°F	(5-95%RH, non-condensing)
	0°C - +120°C	32°F - +248°F	
	-20°C - +70°C	-4°F - +158°F	(5-95%RH, non-condensing)





TA-Slider 500

TA-Slider 500 I/O

TA-Slider 500 Plus

24 VAC/DC operating only with safety transformer according EN 61558-2-6

Terminal	Description
L24	Power supply 24 VAC/VDC
M	Neutral for power supply 24 VAC/VDC and signals
Y _v	Input signal for proportional control 0(2)..10 VDC, 47 kΩ
X _v	Output signal 0(2)..10 VDC, max. 8 mA or min. load resistance 1.25 kΩ
B	Connection for potential free contact (e.g. open window detection), max. 100 Ω, max. 10 m cable or shielded
COM	Common contacts of relay, max. 250 VAC, max. 5A @ 250 VAC on resistive load, max. 5A @ 30 VDC on resistive load
NC	Normally closed contact for relay
NO	Normally open contact for relay

Quick start

Download on the

ANDROID APP ON

HyTune app

LED

BLUE/RED	Symbol	Signal
		— — — —
		— — — —
		— — — —
		— — — —
		— — — —
		— — — —

VIOLET	Symbol	Signal
		— — — —
		— — — —
		— — — —
		— — — —
		— — — —
		— — — —

LED