



## Braukmann RV280

Controllable anti-pollution check valve EA type  
with internal thread

### APPLICATION

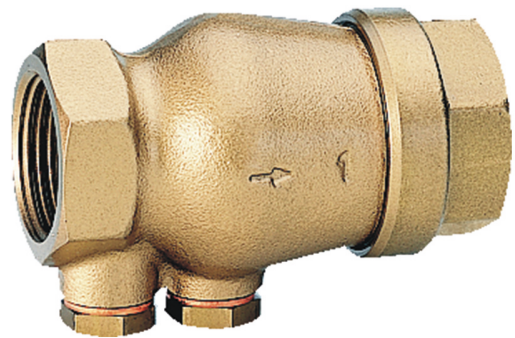
Check valves of this type are for use as an independent means of preventing reverse water flow.

They can also be used for industrial, commercial and similar systems where back pressure, backflow and back syphonage must be prevented.

The classifications of appliances to meet these requirements are specified in EN 1717.

### SPECIAL FEATURES

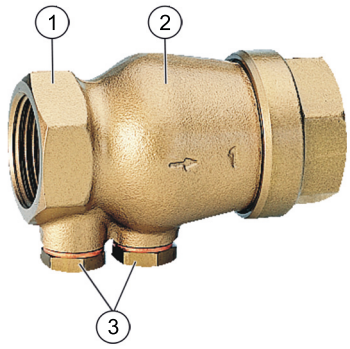
- Universal application
- Suitable for installation in any position
- Creates no shock pressure loadings
- Low pressure loss
- All materials are UBA conform



### TECHNICAL DATA

<b>Media</b>	
Medium:	Drinking water
<b>Connections/Sizes</b>	
Connection size:	1/2" - 2"
<b>Pressure values</b>	
Max. operating pressure:	16 bar
Opening pressure:	ca. 0.05 bar
<b>Operating temperatures</b>	
Max. operating temperature medium:	65 °C accord. DIN EN 13959 (short term up to 90 °C)
<b>Specifications</b>	
Liquid category:	2 (no hazardous materials)

## CONSTRUCTION

Overview	Components	Materials
	<b>1</b> Union connector with internal thread	Brass
	<b>2</b> Housing with test and drain plugs (1/2" device with test plugs only)	Brass
	<b>3</b> Test and drain plugs	Brass
	<b>Not depicted components:</b>	
	Check valve insert	High-grade synthetic material
Disc guide	High-grade synthetic material	
Spring	Stainless steel	
Disc with lip seal ring	EPDM	

## METHOD OF OPERATION

Spring loaded check valves have a moving seal disc which is lifted off the seat by a greater or lesser amount depending on the flow rate through the valve. If the flow falls towards zero, then the spring pushes the disc back onto the seat and seals the waterway.

To ensure continuing correct function it is recommended that check valves be regularly checked and maintained (as specified in EN 1717).

## TRANSPORTATION AND STORAGE

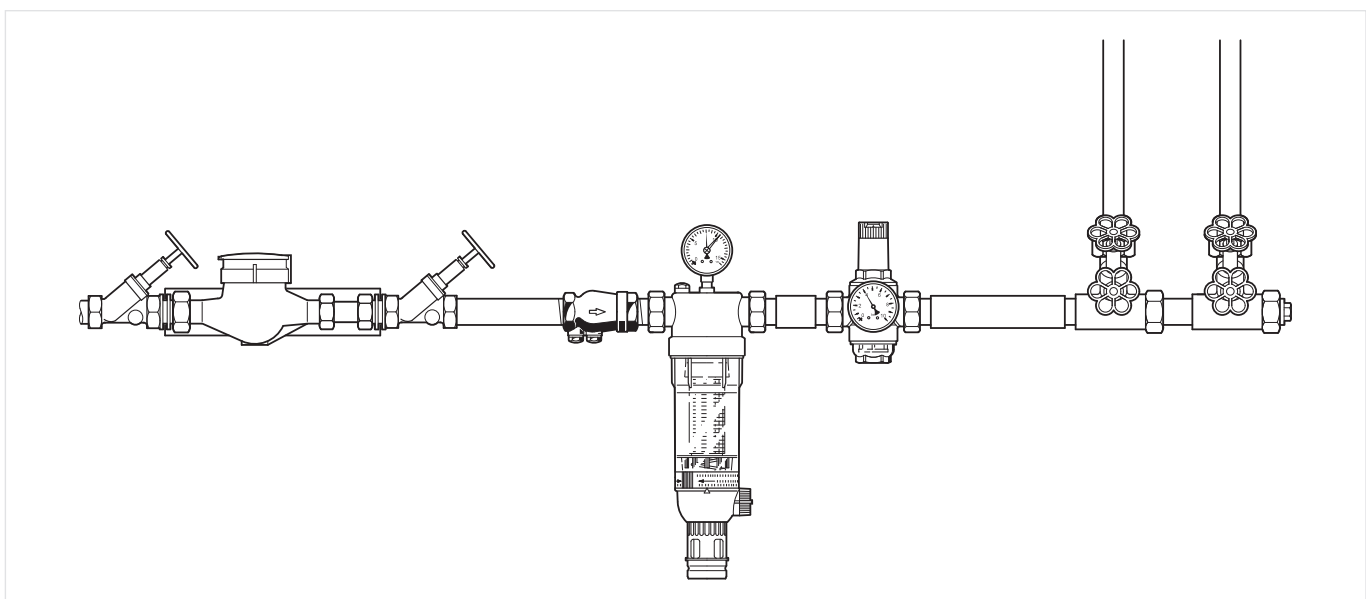
Keep parts in their original packaging and unpack them shortly before use.

The following parameters apply during transportation and storage:

Parameter	Value
Environment:	clean, dry and dust free
Min. ambient temperature:	5 °C
Max. ambient temperature:	55 °C
Min. ambient relative humidity:	25 % *
Max. ambient relative humidity:	85 % *

\*non condensing

## Installation Example



## INSTALLATION GUIDELINES

### Setup requirements

- Install in horizontal pipework with test and drain plug downwards
  - This position is best for draining
- Install shut-off valves
  - Shut-off valves provide optimal serviceability
- Ensure good access
  - Simplifies maintenance and inspection
- Install right after water meter if applicable
  - Protects against backflow from water systems

## TECHNICAL CHARACTERISTICS

### kvs-Values

Connection sizes:	1/2"*	3/4"	1"	1 1/4"	1 1/2"	2"
k <sub>VS</sub> -value (m <sup>3</sup> /h):	4.5	9.1	17.0	28.0	38.0	60.0

Note: \* Test plug only

### Pressure drop characteristics

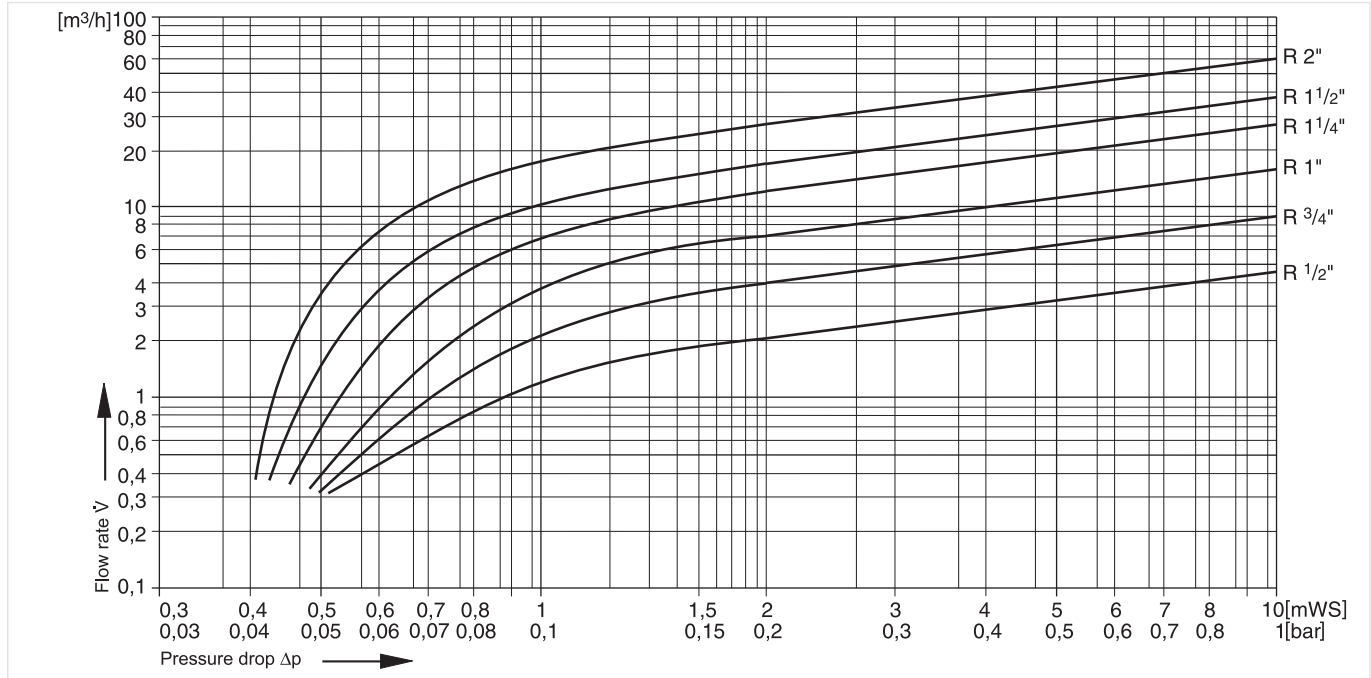
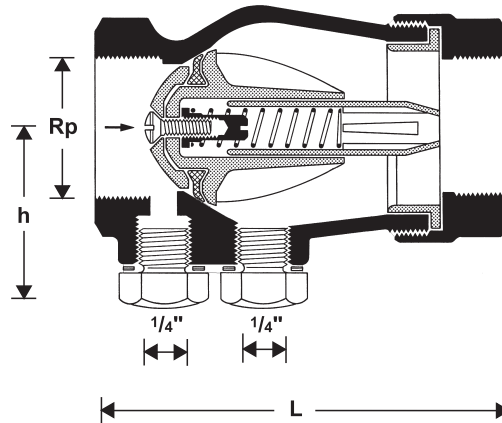


Fig. 1 Pressure drop within the valve in dependency of the flow rate and the used connection size

## DIMENSIONS

### Overview



Parameter		Values					
Connection size:	Rp	1/2"*	3/4"	1"	1 1/4"	1 1/2"	2"
Test and drain plug:	R	1/4"	1/4"	1/4"	1/4"	1/4"	1/4"
Weight:	kg	0.2	0.3	0.5	0.8	1.0	1.9
Dimensions:	L	65	75	83	110	120	150
	h	29	32	35	43	47	55
	sw	27	32	41	50	55	70
Nominal flow rate at $\Delta p = 0.15$ bar:	m <sup>3</sup> /h	1.7	3.5	6.6	10.8	14.7	23.2

Note: \* Test Plug only

Note: All dimensions in mm unless stated otherwise.

## ORDERING INFORMATION

The following tables contain all the information you need to make an order of an item of your choice. When ordering, please always state the type, the ordering or the part number.

### Options

The valve is available in the following sizes: 1/2", 3/4", 1", 1 1/4" 1 1/2" and 2".

- standard
- not available

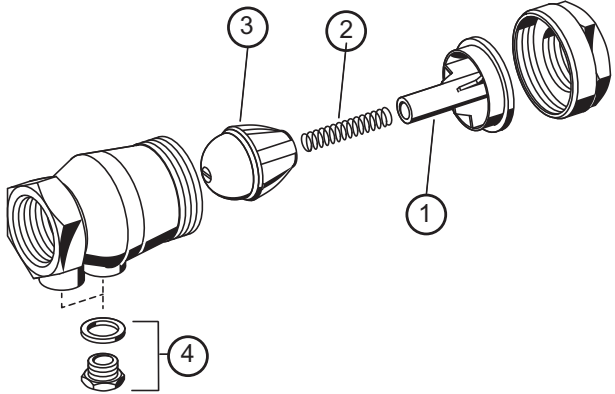
		RV280-...A
Connection type:	Internal thread	•

Note: ... = space holder for connection size

Note: Ordering number example for 1" RV280-1A

### Spare Parts

Inlet check valve RV280, from 1966 onwards

Overview	Description	Dimension	Part No.	
	<b>1 Disc guide</b>	1/2"	5534900	
		3/4"	5535100	
		1"	5531500	
		1 1/4"	5535300	
		1 1/2"	5535500	
		2"	5535700	
	<b>2 Spring</b>	1/2"	2061400	
		3/4"	2061500	
		1"	2061600	
		1 1/4"	2061700	
		1 1/2"	2062000	
		2"	2062400	
	<b>3 Valve disc complete</b>	1/2"	0900356	
		3/4"	0900357	
		1"	0900358	
		1 1/4"	0900359	
		1 1/2"	0900360	
		2"	0900361	
	<b>4 Hexagon-plug with copper sealing-ring R1/4" (5 pcs.)</b>			S06M-1/4



Manufactured for  
and on behalf of  
Pittway Sàrl, Z.A., La Pièce 4,  
1180 Rolle, Switzerland  
by its authorised representative  
Ademco 1 GmbH

For more information  
[homecomfort.resideo.com/europe](http://homecomfort.resideo.com/europe)

Ademco 1 GmbH, Hardhofweg 40,  
74821 MOSBACH, GERMANY

Phone: +49 6261 810  
Fax: +49 6261 81309