

71415-00001..1

1

optional

- 1 x 4-6mm
- 1 x 8-10mm
- 1 x UNF 3/8" - 24
- 1 x UNF 1/4" - 28
- 1 x UNF 1/4" - 32
- 1 x M10
- 1 x M8
- 1 x M6
- 2 x
- 2 x M8 x 12
- 2 x M8

2

4 mm / 9 Nm

optional

3

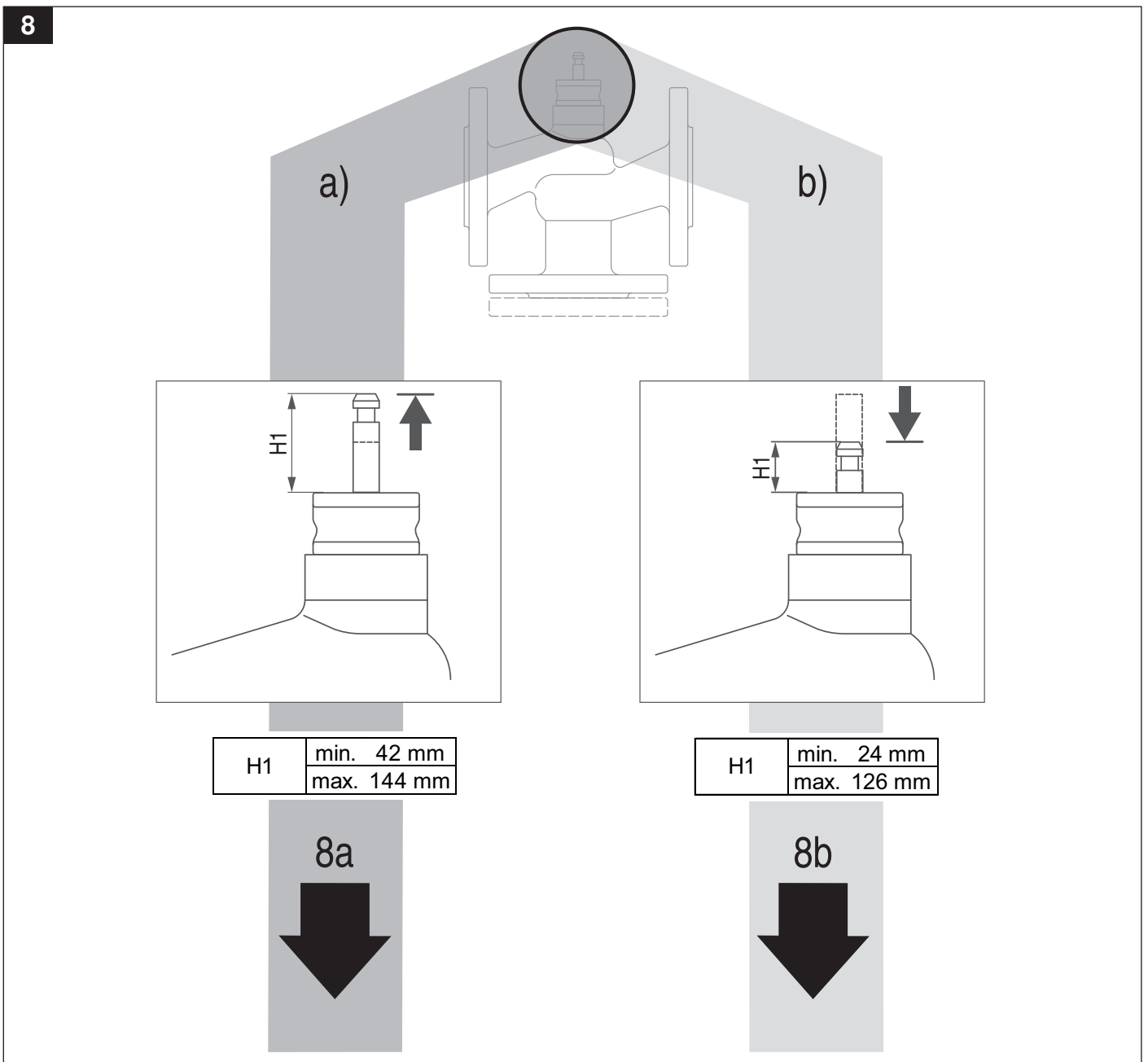
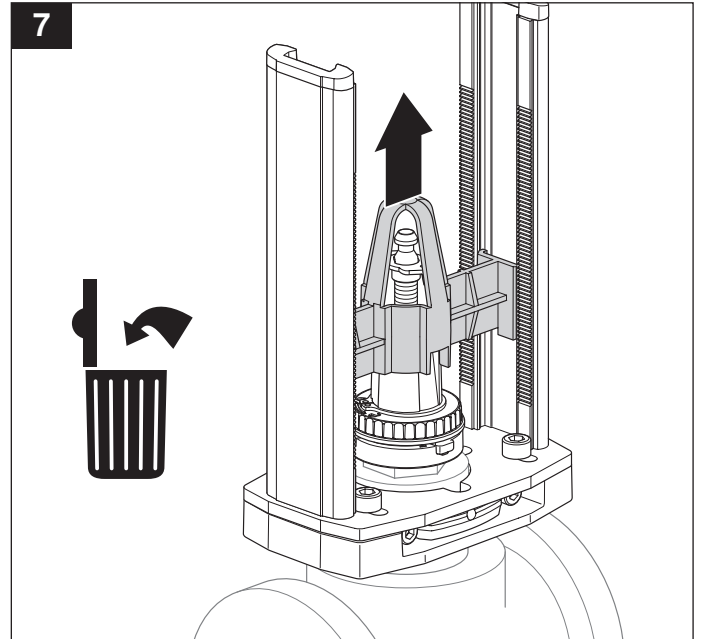
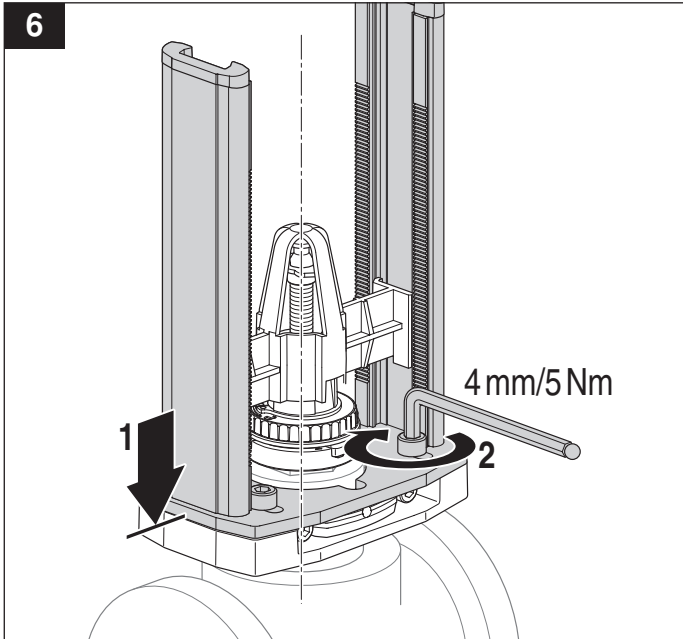
4

optional

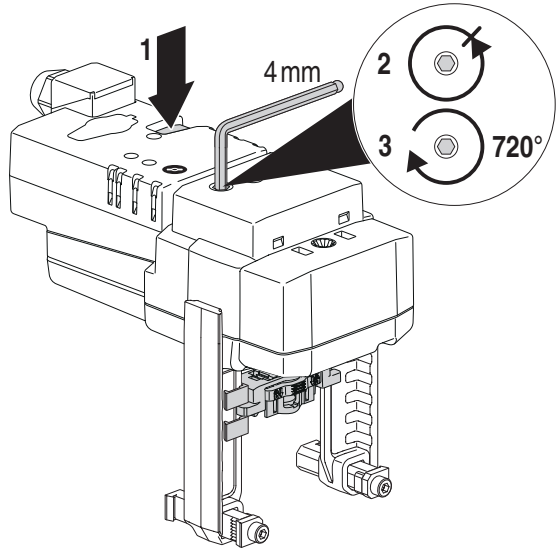
5



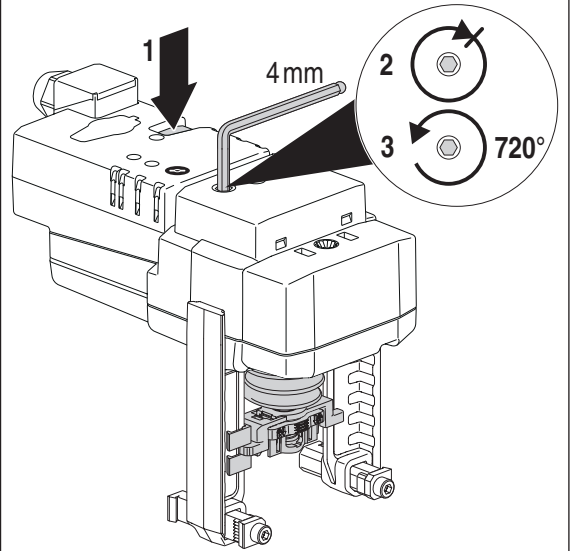
www.belimo.com/safety



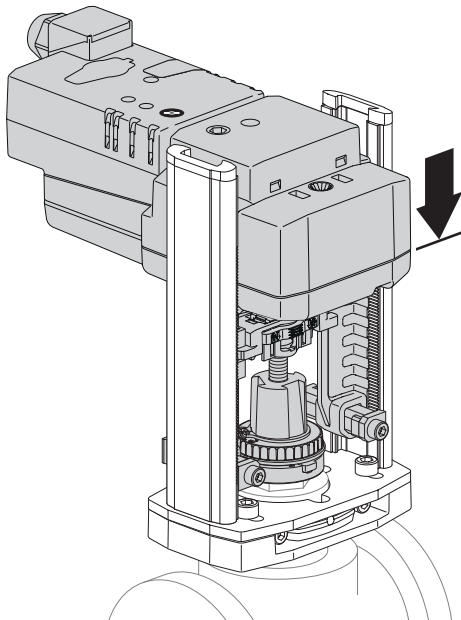
8a



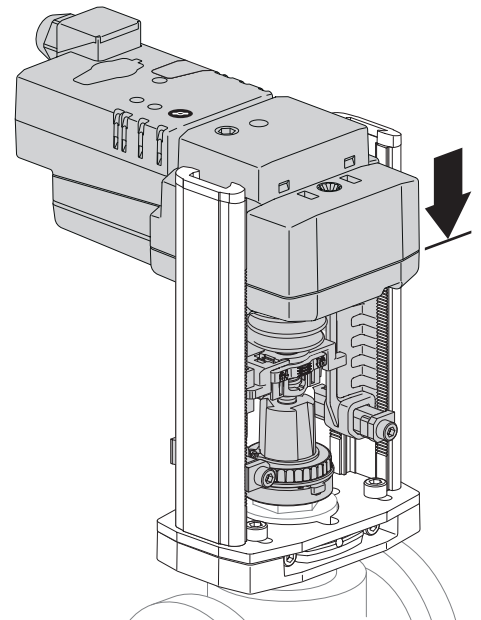
8b



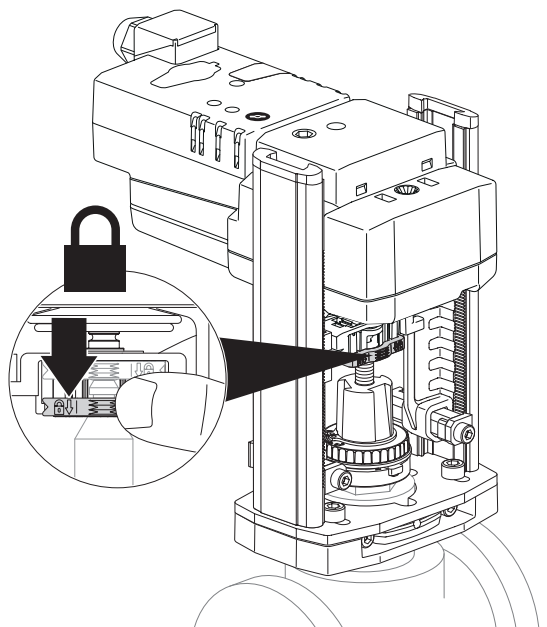
9a



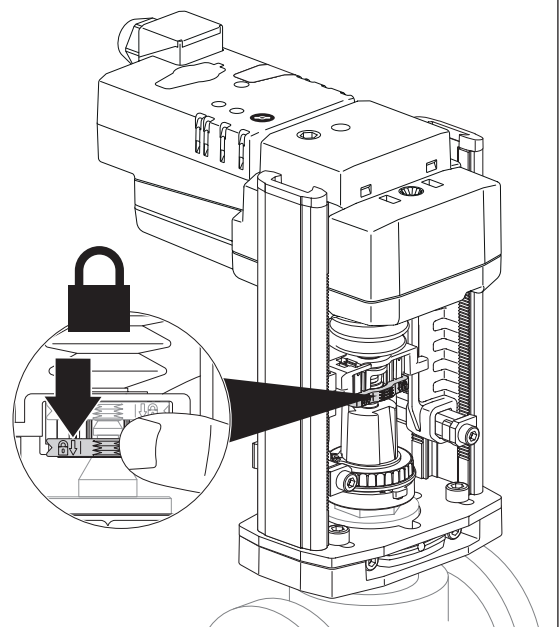
9b

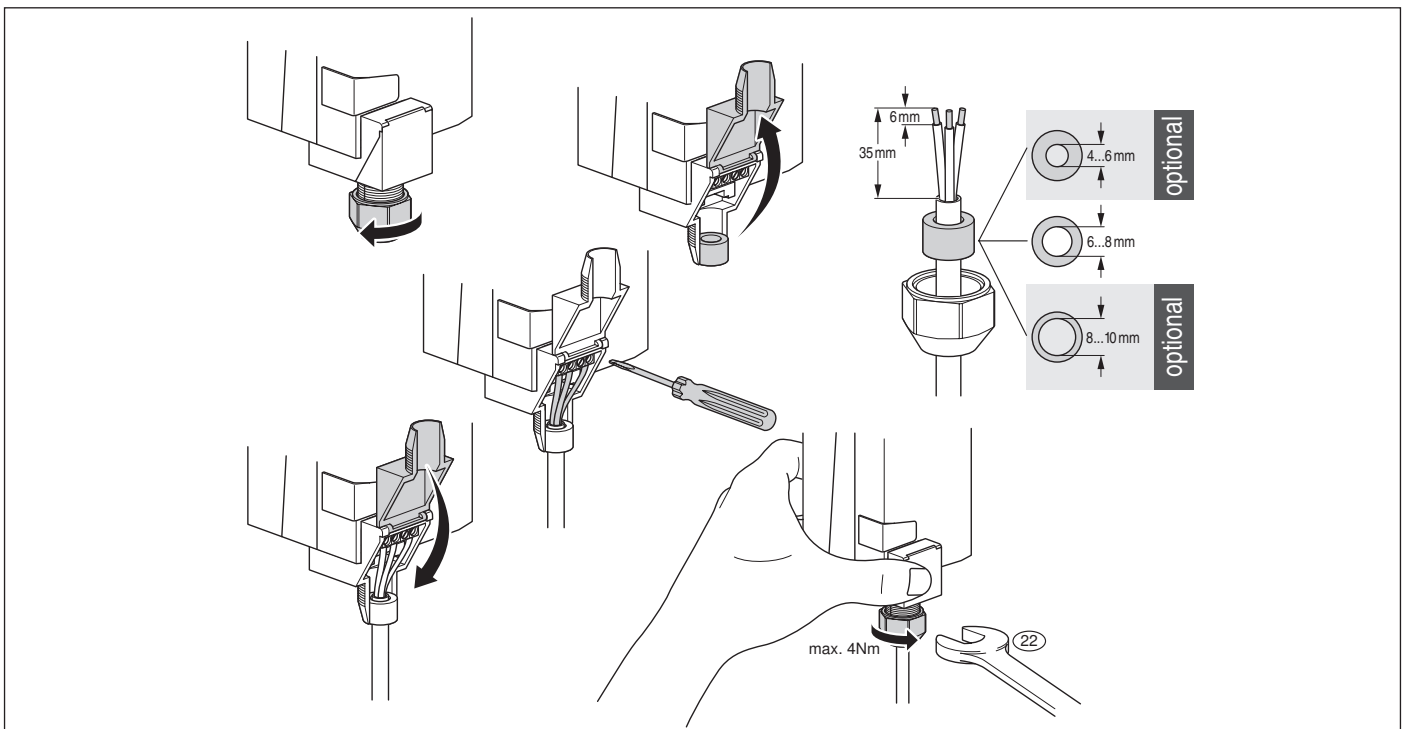
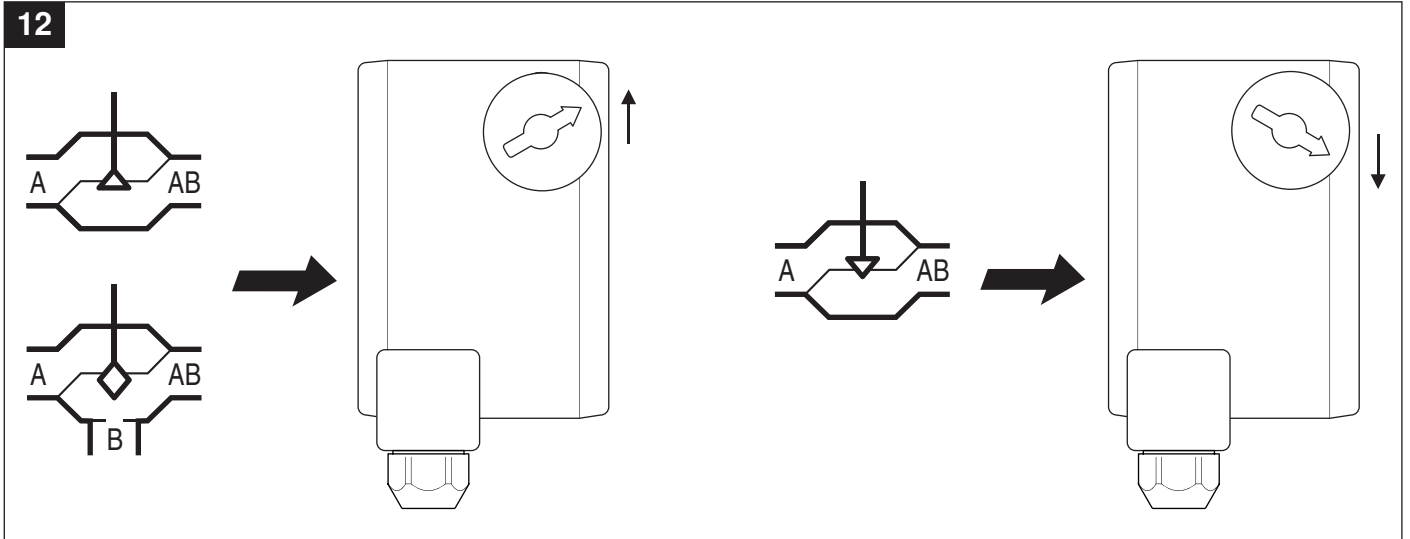
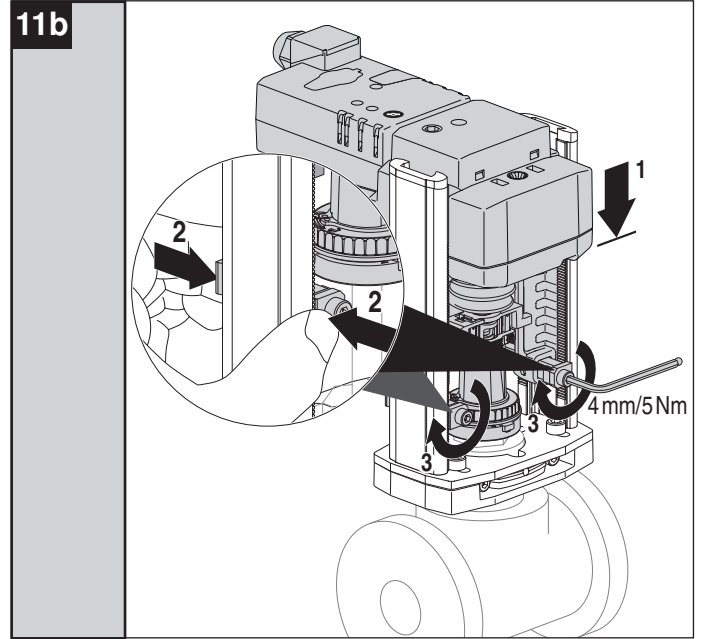
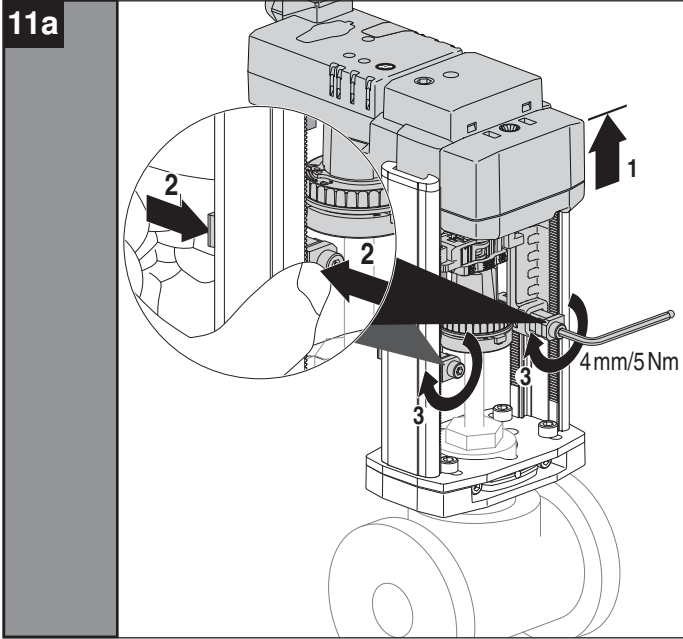


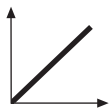
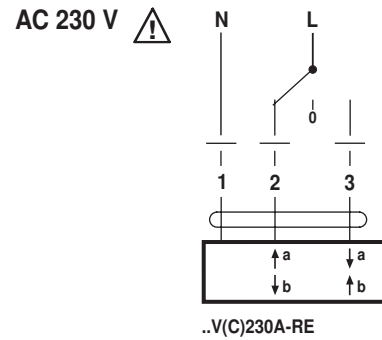
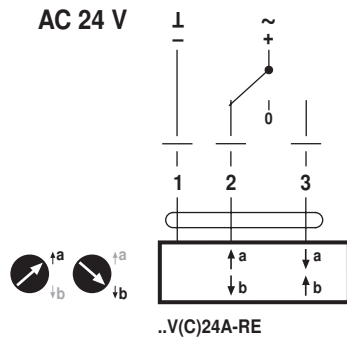
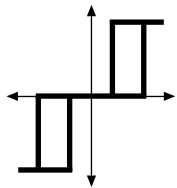
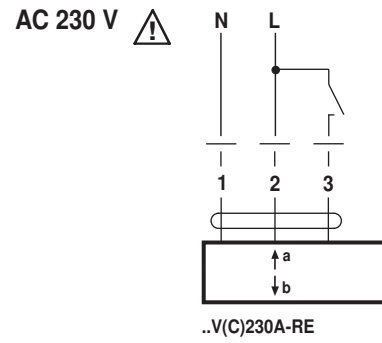
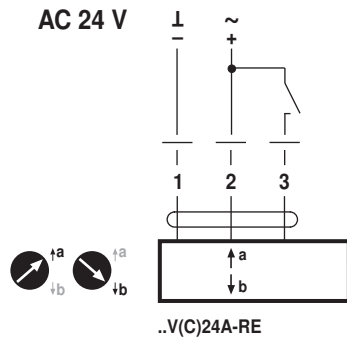
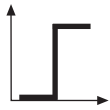
10a



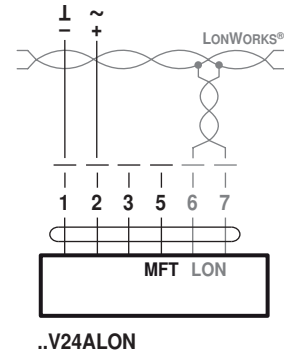
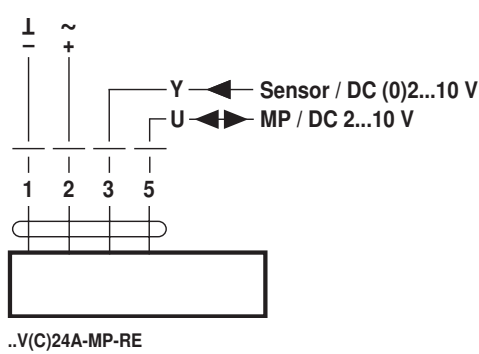
10b



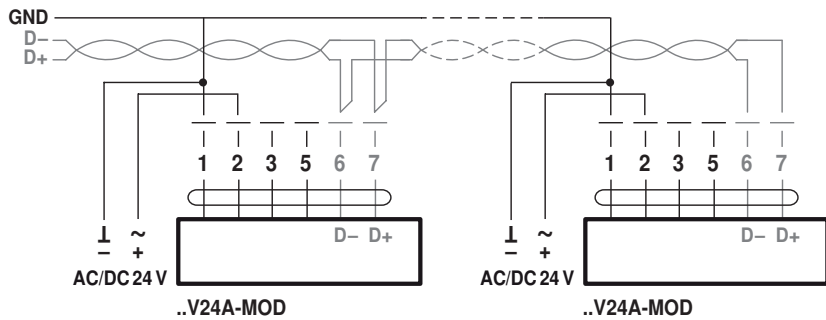




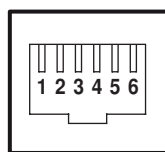
AC 24 V / DC 24 V



BACnet MS/TP / Modbus RTU



BACnet MS/TP / Modbus RTU



- 1 AC/DC 24 V
- 2 GND
- 3 D- (A)
- 4 D+ (B)
- 5 AC/DC 24 V
- 6 GND

..V24A-MOD-J6

