

Data Sheet

Danfoss Ally™ Boiler Relay

Mains 230V~ RF, V/F output

Application



Danfoss Ally™ Boiler Relay is the ideal accessory to optimize energy efficiency in boiler systems, by ensuring that the boiler is only active when there is an actual heat demand.

The Danfoss Ally™ Boiler Relay is a Zigbee certified product, compatible with the Danfoss Ally™ Gateway and with the third party certified systems, using a Zigbee technology.

Ordering

Product	Language	Code No.
Danfoss Ally™ Boiler Relay	EN, DE, DK, FR, IT, PL, CZ, UA, SE, NL, ES	014G2479

Specifications

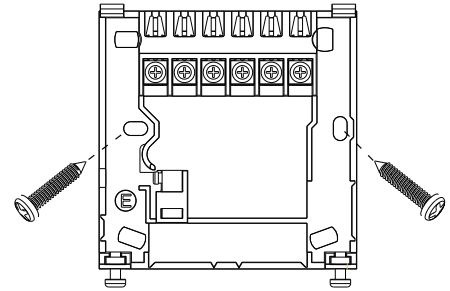
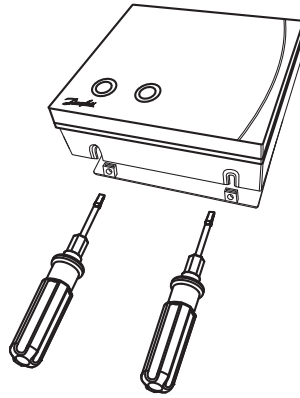
Danfoss Ally™ Boiler Relay:	
Power supply	Input: Mains 230V~ 50/60 Hz
Output	Volt free 3(1)A at 250V~
Operating temperature range	0 °C to 40 °C
Terminals	Max 2.5 mm ² wires
Control pollution situation	Degree 2
Controller type	1B
Software class	A
Over voltage category	III
Temperature for Ball pressure test	75 °C
Size	84 mm x 84 mm x 30 mm
Color	RAL9010
PROG button	It is used to Join and Reset
CH button	It is used to Reset and Override
Integrations	Amazon Alexa, Google Assistant, Partner API
Lifetime	Up to 10 years
Material type	ABS and PC, non-flammable
Approvals, markings etc.	

Terminal Marking

Type	Terminal Marking		Description
	N	N	Mains power 230VAC (neutral)
	L	L	Mains power 230VAC (phase)
	1	No connection	Leave blank
	2	COM	Common of relay change over switch
	3	ON	COM connects to this pin when heat is on, NO
	4	OFF	COM connects to this pin when no heat is requested, NC
	E	Extra terminal	Can be used for fixating unused wire. No connection

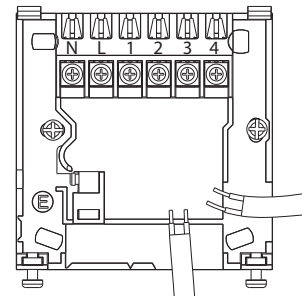
Installation

1. Remove the front and mount Danfoss Ally™ Boiler Relay back plate direct to wall or on a wall box.

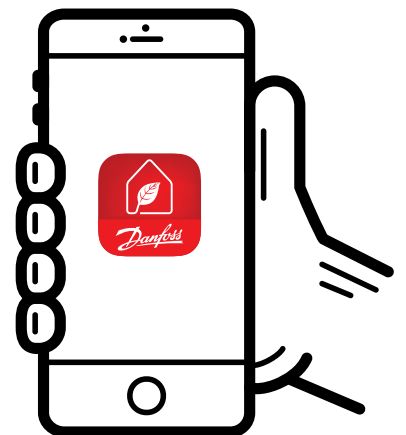


2. Connect the “N” and “L” terminals to the mains power and wire as required for application.

Please, refer to the boiler instructions, in order to identify the correct terminals in the boiler.



3. Continue system setup in the Ally™ App.



How to reset the Ally™ Boiler Relay

Resetting the Ally™ Boiler Relay to factory default settings can be done by following the below procedure:

Step 1: Initiate the Reset Process

Simultaneously press and hold both buttons on the boiler relay unit for a duration of 25 seconds (0-25 sec).

Step 2: Observe the LED Indicators

After approximately 5 seconds of holding both buttons, you will notice that both LEDs on the unit start blinking rapidly (5-20 sec).

Continue to hold the buttons for a total of 20 seconds. During this time, both LEDs will remain steadily illuminated (20-25 sec).

Step 3: Release the Buttons

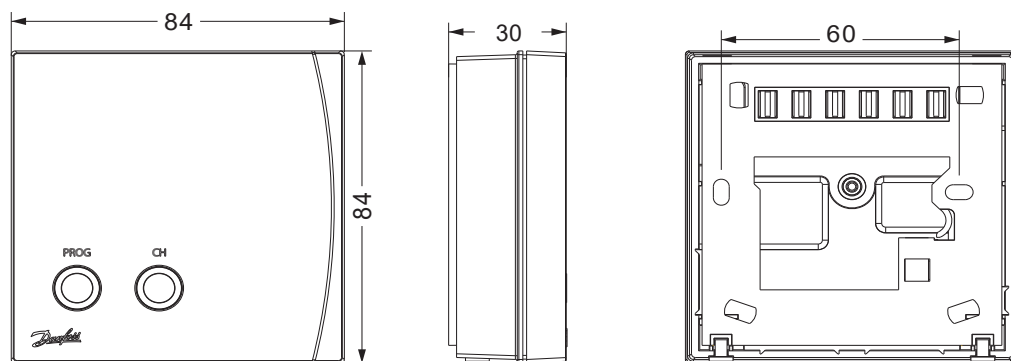
Between the 20th and 25th second of holding both buttons, release them.

Step 4: Verify Reset Activation

- a. After releasing the buttons, the Ally™ Boiler Relay will enter factory reset mode.
- b. Simultaneously, the unit will undergo a reboot process.

By following these steps, you can successfully reset the Ally™ Boiler Relay to its factory default settings.

Dimensions



Danfoss A/S

Climate Solutions • danfoss.com • +45 7488 2222

Any information, including, but not limited to information on selection of product, its application or use, product design, weight, dimensions, capacity or any other technical data in product manuals, catalogues descriptions, advertisements, etc. and whether made available in writing, orally, electronically, online or via download, shall be considered informative, and is only binding if and to the extent, explicit reference is made in a quotation or order confirmation. Danfoss cannot accept any responsibility for possible errors in catalogues, brochures, videos and other material. Danfoss reserves the right to alter its products without notice. This also applies to products ordered but not delivered provided that such alterations can be made without changes to form, fit or function of the product. All trademarks in this material are property of Danfoss A/S or Danfoss group companies. Danfoss and the Danfoss logo are trademarks of Danfoss A/S. All rights reserved.