



Pioneering for You

HVAC OEM Competence Centre

Yonos PARA RS **/6 RKC Datasheet



ErP READY	APPLIES TO EUROPEAN DIRECTIVE FOR ENERGY RELATED PRODUCTS
---------------------	--

Yonos PARA RS **/6 RKC



Field of application



Heating

Yonos PARA RS 15/6 RKC 130 12

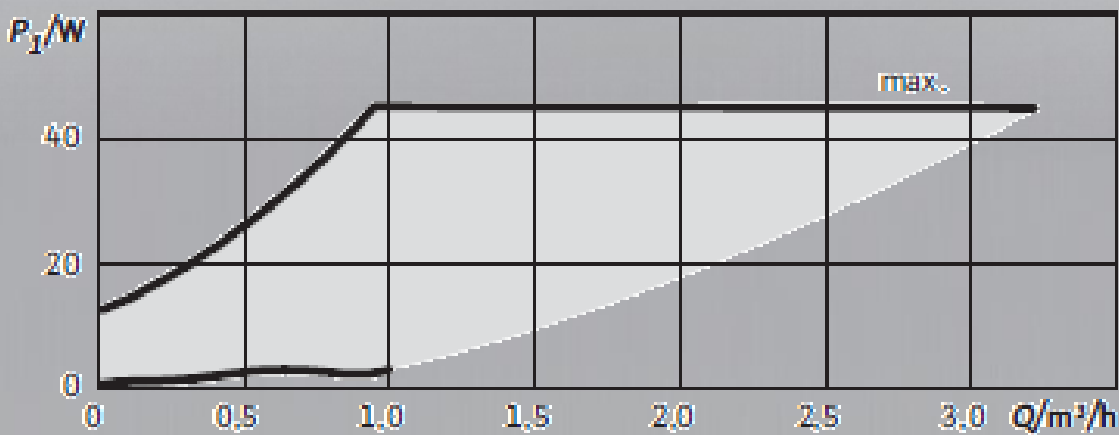
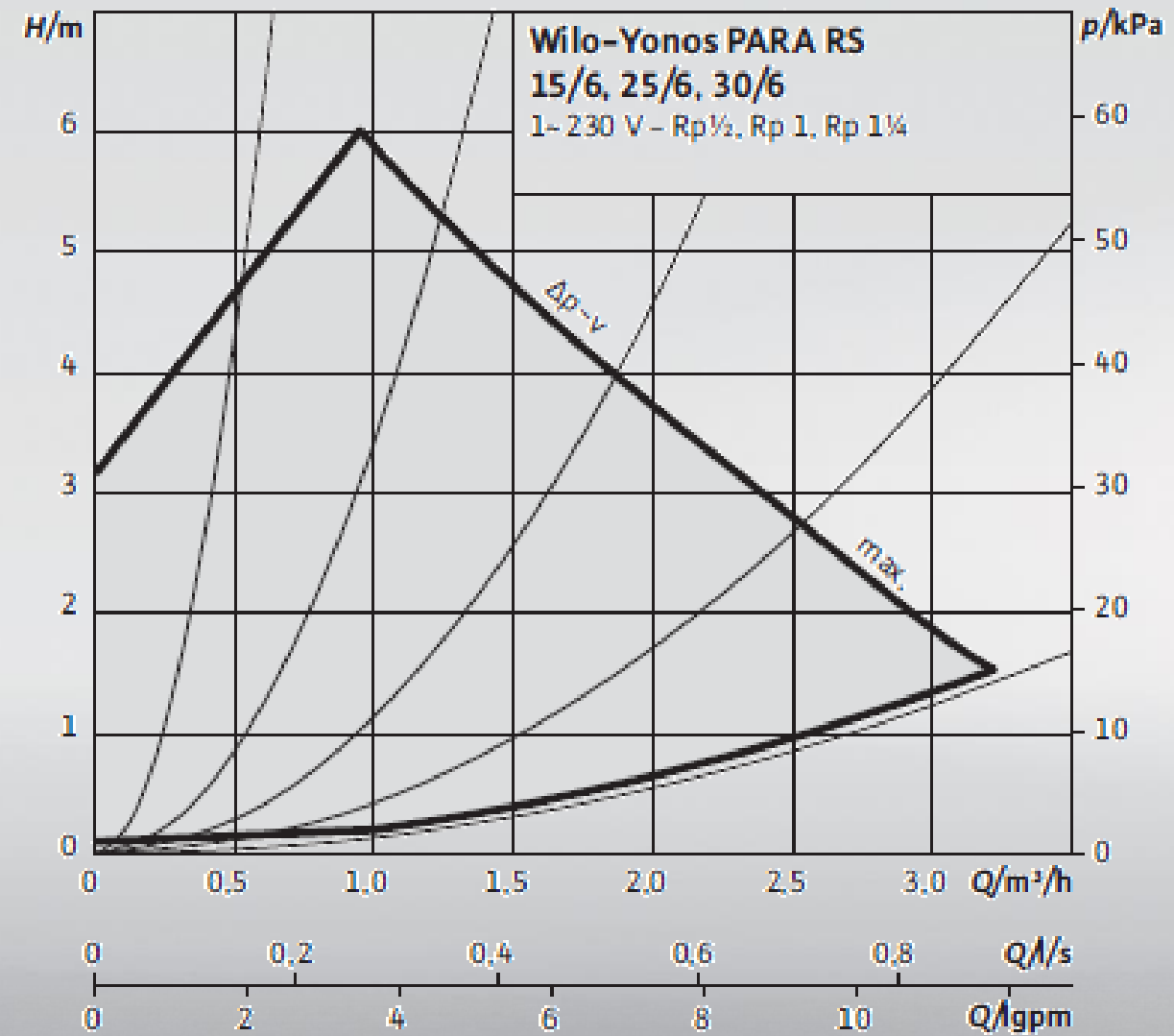
Yonos PARA

High Efficiency pump for heating application

RS	Inline cast iron pump housing
15	Threaded connection DN 15 (25, 30: also available)
6	6 = delivery head in [m] at Q = 0 m ³ /h
RKC	The pump is controlled by Red Knob technology RKC = $\Delta P-v$, constant speed I, II, III
130	Pump housing length 130 mm (180 mm: also available)
12	Control box orientation 12 o'clock (3, 6, 9 o'clock: also available)

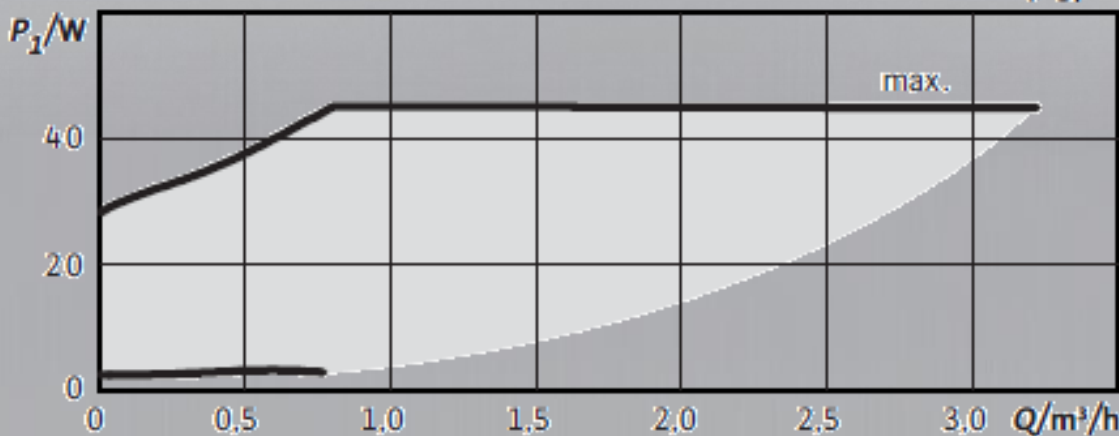
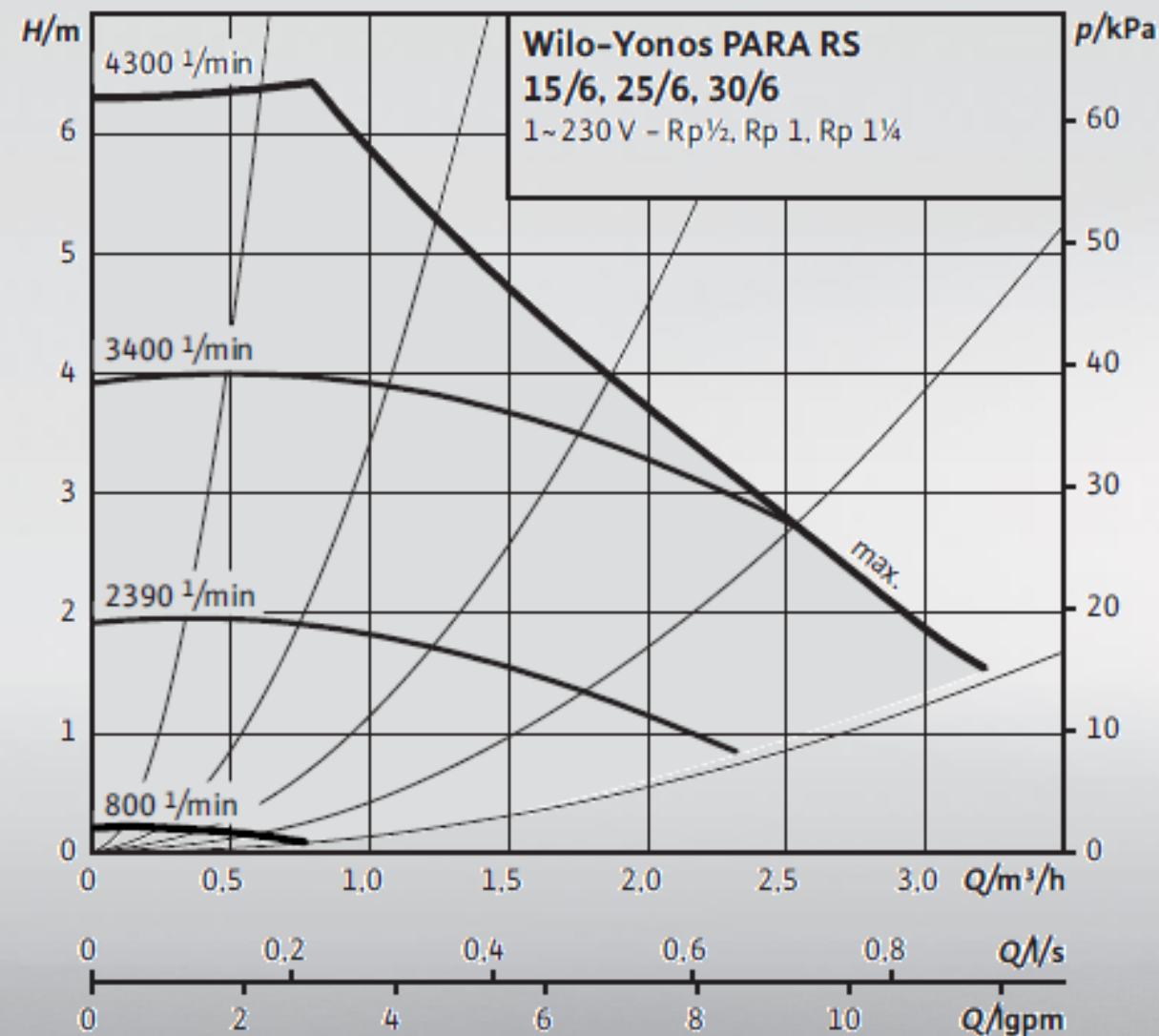
Hydraulic operational area $\Delta p-v$ (variable)

$\Delta p-v$ (variable)



Hydraulic operational area Constant speed I, II, III

Constant speed I, II, III





Electrical connections

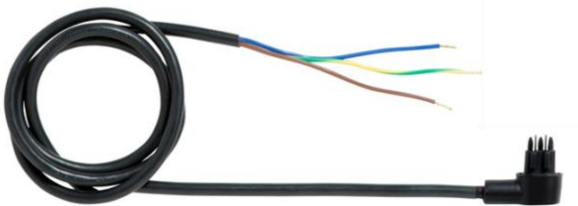
Integrated Molex 3-way connector



Overmoulded connector



Overmoulded power cables



Volex connector

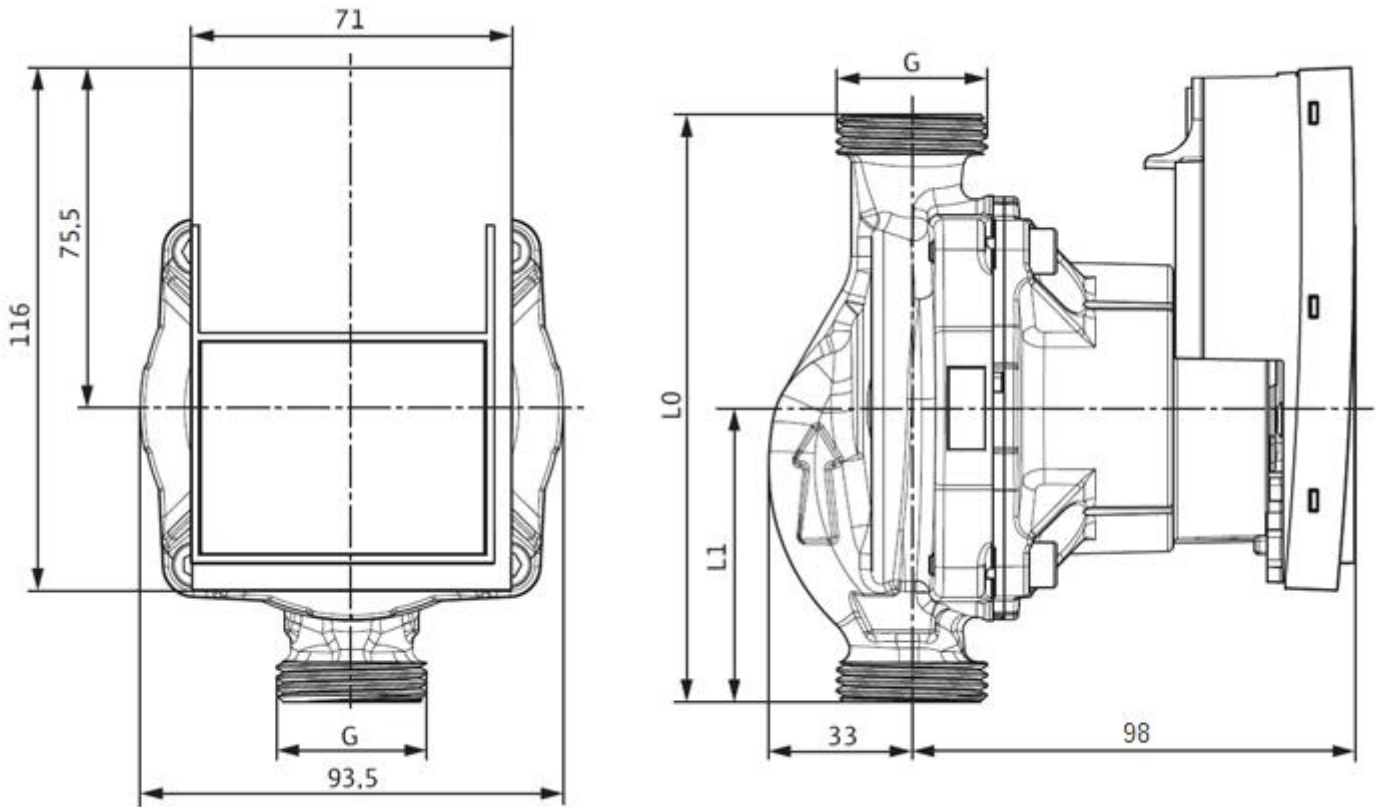


WS8 connector





Dimensions



Thread	Overall length (mm)	Dimensions (mm)
	10	L1
G1"	130	65
G1"½	130	65
G1"½	180	90
G2"	180	90

Approved fluids (other fluids on request)	Heating water (in accordance with VDI 2035) Water-glycol mixtures (max. 1:1; above 20% admixture, the pumping data must be checked)
--	--

Power

Energy Efficiency Index (EEI)	≤ 0,20
Max. delivery head	6.2 m
Max. volume flow	3.3 m³/h

Permitted field of application

Temperature range for applications in HVAC systems at max. ambient temperature. Limit values for continuous operation at maximum rated power	Of 58°C = 0 to 100°C Of 62°C = 0 to 90°C Of 66°C = 0 to 80°C Of 71°C = 0 to 70°C
Maximum static pressure	PN 6

Electrical connection

Mains connection	1~230 V +10%/-15%, 50/60 Hz (IEC 60038 standard voltage)
------------------	--

Motor/electronics

Low voltage directive	2006/95/EC Conform
Electromagnetic compatibility	EN 61800-3
Emitted interference	EN 61000-6-3 EN 61000-6-4
Interference resistance	EN 61000-6-2 EN 61000-6-1
Protection class	IPx4D
Insulation class	F
RoHS / REACH	Not submitted

Minimum suction head at suction port to avoid cavitation at water pumping temperature

Minimum suction head at 50/95°C	0.5/4.5 m
---------------------------------	-----------

Motor data

Yonos PARA	Speed	Power consumption 1-230 V	Current at 1-230 V	Motor protection
	n	P1	I	-
	rpm	W	A	-
RS **/6 RKC	800 - 4300	3-45	0.03-0.44	Integrated

Materials

Yonos PARA	Pump housing	Impeller	Pump shaft	Bearing
RS **/6 RKC	Cast iron with cataphoresis treatment	PP composite with GF 40%	Stainless steel	Carbon, metal impregnated

wilo

WILO
HVAC OEM Competence Centre

50 av. Casella
18700 - Aubigny sur Nère
France
T +33 2 48 81 62 62
information@wilointec.com
www.wilo-oem.com

Pioneering for You